

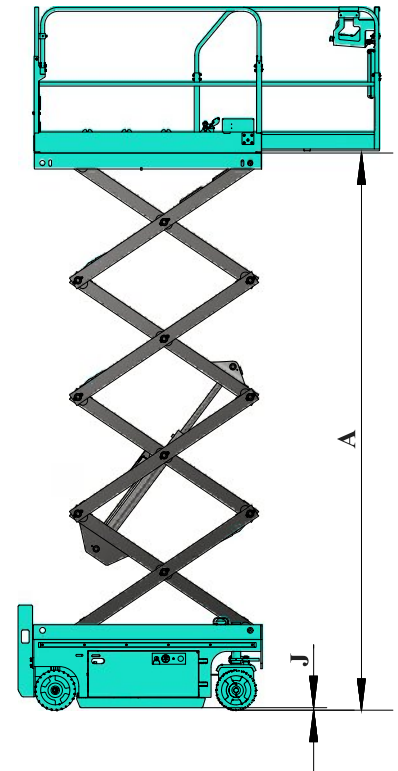
# SWSLO807HD

## Electric Hydraulic-drive Scissor-type Aerial Work Platform

# SUNWARD

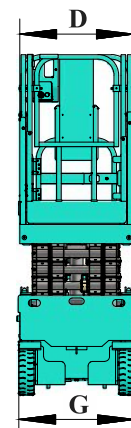
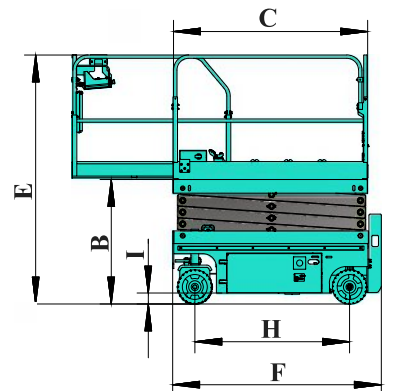
### Dimension

Working height*		8m
A	Platform height maximum	6m
B	Platform height (stowed)	1.05m
C	Platform length	1.7m
	Slide-out platform extension deck	0.9m
D	Platform width	0.74m
E	Stowed height (rails up)	2.17m
	Stowed height (rails down)	1.79m
F	Overall length	1.86m
G	Overall width	0.76m
H	Wheelbase	1.38m
I	Ground clearance (stowed)	0.07m
J	Ground clearance (raised)	0.02m



### Performance

Lift capacity	230kg
Lift capacity (extension deck)	113kg
Max. platform occupancy	2
Drive speed (stowed)	3.0km/h
Drive speed (elevated)	0.8km/h
Turning radius (inside)	0m
Turning radius (outside)	1.67m
Raise / lower speed	20s / 27s
Gradeability**	25%
Max. allowable working angle (lateral / longitudinal)	1.5° / 3°
Controls	Proportional
Wheel driver	Dual front wheel
Multiple disc brakes	Dual rear wheel
Tires	305mm×100mm
Battery	4×6V/225Ah
Charger	24V/30A
Weight	1530kg

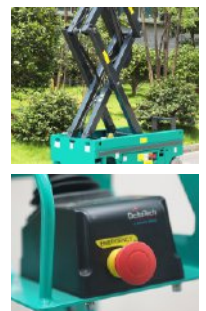


\* Working height is equal to Platform height plus 2m.

\* Climbing ability is suitable for driving on slopes; Refer to Operator Manual for slope level.

# SWSL0807HD

## Electric Hydraulic-drive Scissor-type Aerial Work Platform



### Standard features

◆ Proportional control	◆ Extended platform	◆ Folding guardrails platform	◆ Self-lock gate on platform
◆ Solid tire	◆ Hour meter	◆ Standard transport forklift hole	◆ Safety maintenance support rod
◆ Horn	◆ Flashing beacon	◆ Action beep	◆ Dual front wheel drive
◆ Pit protection device	◆ Emergency descent system	◆ Emergency stop button	◆ Automatic brakes system
◆ Tilt sensor with alarm	◆ Charging protection system	◆ Fault diagnosis system	◆ Overload protection system

### Options features

◆ Air line to platform	◆ AC power to platform	◆ GPS tracking system	◆ Platform work lights
◆ Maintenance-free battery	◆ Lithium battery and management system	◆ Intelligent interconnection system	

#### SUNWARD INTELLIGENT EQUIPMENT CO.,LTD.

Add: Sunward Industrial Park, No. 1335 Liangtang Road (E), Xingsha, Changsha, Hunan, China.  
Tel: +86 731 8640 7779 E-mail: marketing@sunward.cc Web: www.sunward.com.cn

**SUNWARD**