

SUNWARD

Mining Warrior

SWE335F

•Operating weight: 33.6t •Engine power: 223kW/2000rpm •Standard bucket capacity: 1.5m³



- The engine of international famous brand and special for excavator is adopted.
- HDLC reinforced chassis, improving the stability of both working and traveling and the durability of lower vehicle body.
- A one-piece ring forge piece is used as the slewing bearing ring, to reduce the welding frequency, thus significantly improving the durability.
- For the main platform, its large bottom plate, main beams and slabs are reinforced significantly. The overall strength is increased by 32% and the reliability is higher.
- The design of counterweight support and bottom sealing plate is more reliable. The counterweight bolts are protected from being damaged by rocks.
- All supporting members are of the high-strength, high-ductility and structural steel die forge pieces, to improve the stress distribution and increase the reliability.



© Sunward Equipment Group

SWE335F

Main Technical Parameters

Performance Parameters

Specifications

Operating weight	t	33.6
Standard bucket capacity	m ³	1.5

Engine

Brand	Cummins	
Model	QSL9-300T4f	
Type	Direct injection, 4-stroke, water-cooled, turbocharged, intercooled	

Rated power	kW/rpm	223/2000
Displacement	L	8.9

Hydraulic System

Type of main pump	2 piston pumps	
Maximum flow of main pump	L/min	2×324
System pressure	MPa	31.4/34.3

Performance

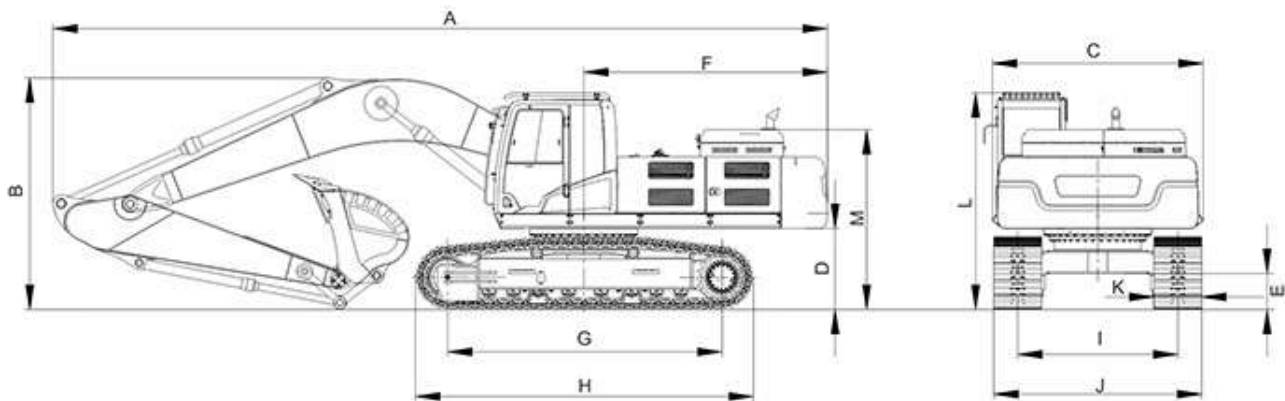
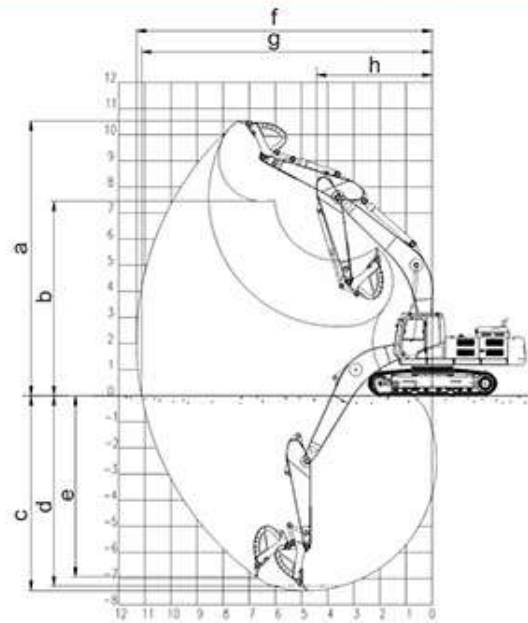
Rotating speed	rpm	10
Traceling speed	km/h	5.8/3.6
Maximum gradeability	°	35
Width of track link	mm	700
Ground specific pressure	kPa	53.5

Tank Volume

Fuel tank	L	650
Hydraulic oil tank	L	320

Working Range

a	Max. digging height	mm	10525
b	Max. unloading height	mm	7450
c	Max. digging depth	mm	7460
d	Digging depth (2.44m horizontal)	mm	7280
e	Max. vertical digging depth	mm	6930
f	Max. digging distance	mm	11320
g	Max. ground digging distance	mm	11125
h	Min. front swing radius	mm	4420
Digging force of bucket (ISO supercharging)		kN	250
Digging force of arm (ISO supercharging)		kN	168



Outline Dimension

Overall dimension (L × W × H)		mm	11375×3050×3400				
A	Total length	mm	11375	G	Ground contact length of track	mm	4030
B	Total height	mm	3400	H	Length of track	mm	4960
C	Total width	mm	3100	I	Track gauge	mm	2350
D	Ground clearance of counterweight	mm	1190	J	Width of track	mm	3050
E	Minimum ground clearance	mm	528	K	Width of track link	mm	700
F	Tail swing radius	mm	3580	L	Cab height	mm	3180
				M	Height of machine hood	mm	2640

★ The above parameters may change due to product update

SUNWARD INTELLIGENT EQUIPMENT CO.,LTD.

Add: Sunward Industrial Park, No. 1335 Liangtang Road (E), Xingsha, Changsha, Hunan, China.
Tel: +86 731 8640 7779 E-mail: marketing@sunward.cc Web: www.sunward.com.cn

SUNWARD