

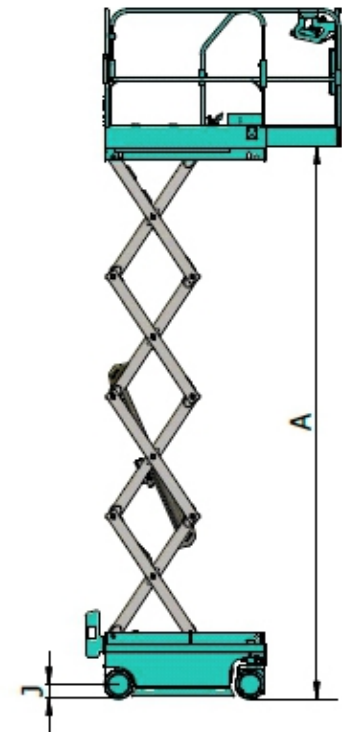
# SWSL0607DC

## Electric Driven Scissor Scissor-type Aerial Work Platform

# SUNWARD

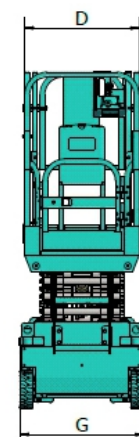
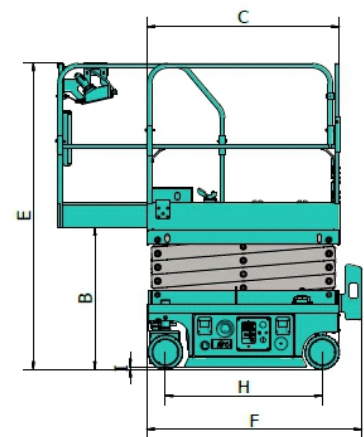
### Dimension

Working height*		6.5m
A	Platform height maximum	4.5m
B	Platform height (stowed)	0.95m
C	Platform length	1.29m
	Slide-out platform extension deck	0.6m
D	Platform width	0.7m
E	Stowed height (rails up)	2.06m
	Stowed height (rails down)	1.7m
F	Overall length	1.44m
G	Overall width	0.76m
H	Wheelbase	1.05m
I	Ground clearance (stowed)	0.06m
J	Ground clearance (raised)	0.017m



### Performance

Lift capacity	240kg
Lift capacity (extension deck)	100kg
Max. platform occupancy	2
Drive speed (stowed)	4.0km/h
Drive speed (elevated)	0.8km/h
Turning radius (inside)	0.4m
Turning radius (outside)	1.6m
Raise / lower speed	23s / 25s
Gradeability**	30%
Max. allowable working angle (lateral / longitudinal)	1.5° / 3°
Controls	Proportional
Wheel driver	DC motor real drive
Multiple disc brakes	Dual front wheel
Tires	230mm×80mm
Battery	4×6V/85Ah
Charger	24V/15A
Weight	890kg

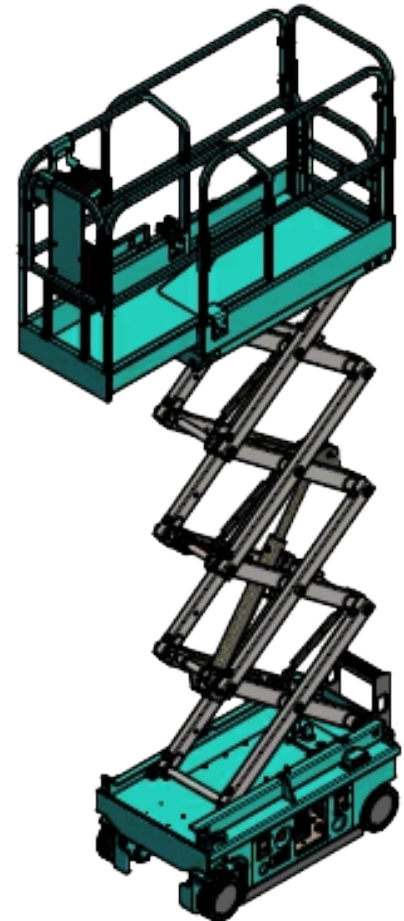
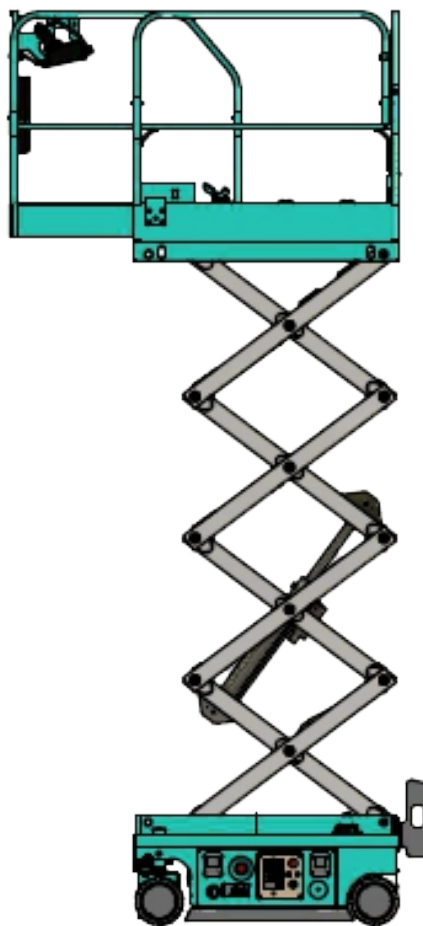
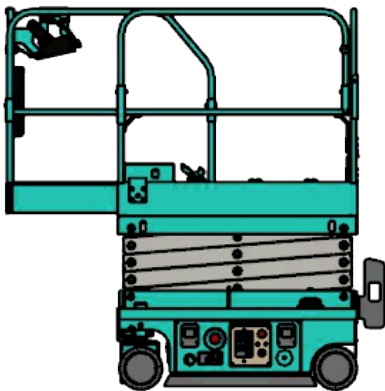


\* Working height is equal to Platform height plus 2m.

\* Climbing ability is suitable for driving on slopes; Refer to Operator Manual for slope level.

# SWSL0607DC

## Electric Driven Scissor Scissor-type Aerial Work Platform



### Standard features

◆ Proportional control	◆ Extended platform	◆ Folding guardrails platform	◆ Self-lock gate on platform
◆ Solid tire	◆ Hour meter	◆ Standard transport forklift hole	◆ Safety maintenance support rod
◆ Horn	◆ Flashing beacon	◆ Action beep	◆ DC motor drive
◆ Pit protection device	◆ Emergency descent system	◆ Emergency stop button	◆ Automatic brakes system
◆ Tilt sensor with alarm	◆ Charging protection system	◆ Fault diagnosis system	

### Options features

◆ Air line to platform	◆ AC power to platform	◆ GPS tracking system	◆ Platform work lights
◆ Maintenance-free battery	◆ Lithium battery and management system	◆ Intelligent interconnection system	◆ Overload protection system

#### SUNWARD INTELLIGENT EQUIPMENT CO.,LTD.

Add: Sunward Industrial Park, No. 1335 Liangtang Road (E), Xingsha, Changsha, Hunan, China.  
E-mail: international@sunward.cc Web: www.sunward.com.cn

**SUNWARD**